



ENGINE

| | |
|-----------------|--|
| Model | : ISUZU-AI-4HK1X |
| Type | : Water cooled diesel engine, 4 cycles, 4 cylinders, line-type, direct injection, turbocharger and intercooler |
| Power | : 172 HP @2000 rpm / SAE J1995 (Gross) : 162 HP @2000 rpm / SAE J1349 (Net) |
| Max. Torque | : 674 Nm @1500 rpm (Gross) : 653 Nm @1500 rpm (Net) |
| Displacement | : 5193 cc |
| Bore and Stroke | : 115 mm x 125 mm |

This engine complies with the Emission Regulations U.S. EPA Tier 4 interim, and EU Stage III-B

LOWER STRUCTURE (CHASSIS)

| | |
|---------|---|
| Chassis | : Box shaped, reinforced lower chassis, front dozer blade and rear outriggers (stabilizers) as standard figures. |
| Axles | : The pivot pin mounted front axle allows two options: 8° in each direction for best matching conditions, or could be locked at any desired position for perfect stability. |
| Tires | : 10,00 - 20TT (16 pr) |

CAB

- Improved operator's all round visibility
- Increased cabin internal space
- Use of six viscomount cabin mountings that dampen the vibrations
- High capacity A/C
- Opera Control System
- Cooled storage room
- Glass holder, book and object storage pockets
- Pool type floor mat
- Improved operator's comfort through versatile adjustable seat

STEERING SYSTEM

The "orbitrol" type steering system controls a steering cylinder located on the front axle. Minimum turning radius is 7,400 mm.

TRAVEL AND BRAKERS

| | |
|-------------------|--|
| Travel | : Fully hydrostatic |
| Travel Motors | : Axial piston type |
| Reduction | : 2 stage planetary gear |
| Travel Speed | |
| High Speed | : 30 km/h |
| Low Speed | : 7,5 km/h |
| Max. Drawbar Pull | : 11.080 kgf |
| Gradeability | : 29° (%58) |
| Parking Brake | : Hydraulic, disc type with automatic warning |
| Service Brake | : Fully hydraulically operating disc type brakes with spring return, independent for front and rear axles. |

LUBRICATION

Centralized lubrication system is provided for lubrication all difficult-to-reach parts on the components, such as boom and arm

HYDRAULIC SYSTEM

| | |
|-------------------|--|
| Main Pump | |
| Type | : 2 axial piston type pumps with double variable displacement and inclined plate |
| Max. Flow Rate | : 2 x 233 L/min |
| Pilot Pump | : Gear type, 20 L/min (10 cc/rev) |
| Working Pressures | |
| Cylinders | : 330 kgf/cm ² |
| Power Boost | : 360 kgf/cm ² |
| Travel | : 360 kgf/cm ² |
| Swing | : 240 kgf/cm ² |
| Pilot | : 40 kgf/cm ² |
| Cylinders | |
| Boom | : 2 x ø 125 x ø 85 x 1.300 mm |
| Arm | : 1 x ø 140 x ø 100 x 1.640 mm |
| Bucket | : 1 x ø 125 x ø 85 x 1.060 mm |

OPERA CONTROL SYSTEM

- Easy-to-use control panel and menu
- Improved fuel economy and productivity
- Maximum efficiency by selection of power and work modes
- Overheat prevention and protection system without interrupting the work
- Automatic powerboost switch-on and switch-off
- Automatic electric power-off
- Maintenance information and warning systek
- Error mode registry and warning system
- Maintenance information and warning system
- Automatic powershift to improve performance
- Selection of multi-language on control panel.
- Real time monitoring of operational parameters such as pressure, temperature, engine load
- Anti-theft system with personal code
- Possibility to register 26 different operating hours
- Rear-view, arm-view camera (Optional)
- Hidromek Smartlink (Optional)

SWING SYSTEM

| | |
|--------------|---|
| Swing Motor | : Axial piston type integrated with shock absorber valves |
| Reduction | : 2 stage planetary gear box. |
| Swing Brakes | : Hydraulic multi disc type. |
| Swing Speed | : 10,8 rpm |

FILLING CAPACITIES

| | | | |
|------------------|---------|--------------------|-------------|
| Fuel Tank | : 330 L | Transmission | : 2,9 L |
| Hydraulic Tank | : 159 L | Engine Oil | : 20,5 L |
| Hydraulic System | : 315 L | Engine Cooling Sys | : 29,3 L |
| Swing Reduction | : 5 L | Front / Rear axles | : 14,6/18 L |

ELECTRICAL SYSTEM

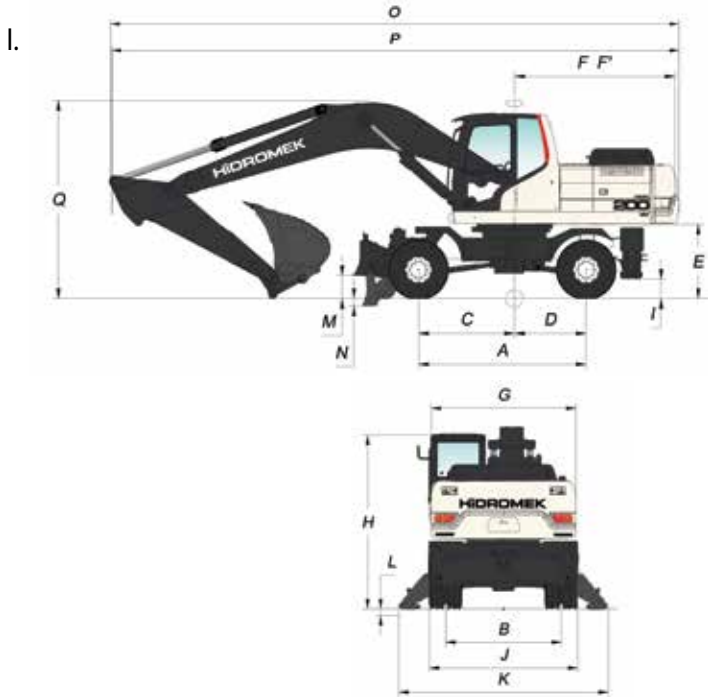
| | |
|----------------|---------------------|
| Voltage | : 24V |
| Battery | : 2 x 12 V x 100 Ah |
| Alternator | : 24 V / 50 A |
| Starting Motor | : 24V / 5,0 kW |

OPERATING WEIGHT

| | |
|---|-------------|
| Standard machine operating weight (200W) (Dozer Blade and Outriggers) | : 22.150 kg |
| Standard machine operating weight (200W) (Front and Rear Outriggers) | : 22.370 kg |

Operational weight, complying with the ISO 6016 standards, includes full fuel tank, hydraulic system and other liquids, 75kg operator weight and standard equipped machine weight. Optional equipments are not included.

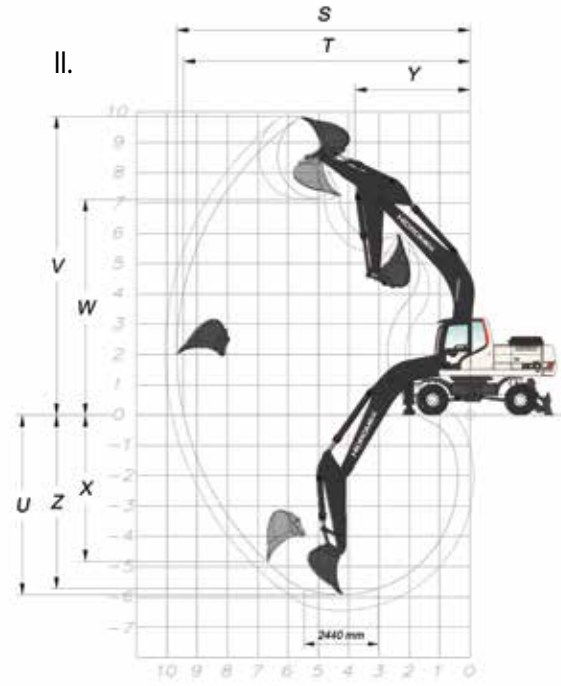
HMK 200w



I. GENERAL DIMENSIONS

| Boom Dimension | 5.600 mm | |
|---|-----------|----------|
| Arm Dimension | *2.400 mm | 2.920 mm |
| A - Axle Distance | 2.850 mm | |
| B - Thread | 1.874 mm | |
| C - Rotation Axis - Front Axle Distance | 1.500 mm | |
| D - Rotation Axis - Rear Axle Distance | 1.350 mm | |
| E - Upper Chassis to Ground Clearance | 1.290 mm | |
| F - Counterweight Distance | 2.780 mm | |
| F' - Counterweight Turning Radius | 2.800 mm | |
| G - Upper Frame Width | 2.500 mm | |
| H - Cab Height | 3.350 mm | |
| I - Outrigger Ground Clearance | 335 mm | |
| J - Width at Tires | 2.480 mm | |
| K - Outrigger Width (Overall) | 3.800 mm | |
| L - Outrigger Digging Depth | 130 mm | |
| M - Dozer Blade Ground Clearance | 370 mm | |
| N - Dozer Blade Digging Depth | 135 mm | |
| O - Overall Length / Travel | 9.660 mm | 9.670 mm |
| P - Overall Length / Transport | 9.570 mm | 9.570 mm |
| Q - Boom Height / Travel | 3.570 mm | 3.790 mm |
| R - Boom Height / Transport | 3.330 mm | 3.320 mm |

* Standard



II. WORKING DIMENSIONS

| Boom Dimension | 5.600 mm | |
|---|-----------|----------|
| Arm Dimension | *2.400 mm | 2.920 mm |
| S - Maximum Digging Reach | 9.390 mm | 9.780 mm |
| T - Maximum Digging Reach at Ground Level | 9.160 mm | 9.560 mm |
| U - Maximum Digging Depth | 5.790 mm | 6.310 mm |
| V - Maximum Digging Height | 9.930 mm | 9.880 mm |
| W - Maximum Dumping Clearance | 7.110 mm | 7.200 mm |
| X - Maximum Vertical Digging Depth | 4.440 mm | 4.610 mm |
| Y - Minimum Swing Radius | 3.230 mm | 3.190 mm |
| Z - Maximum Digging Depth (2440 mm level) | 5.580 mm | 6.120 mm |

* Standard

III. DIGGING PERFORMANCE

| | |
|--|---------------------|
| Standard Bucket Capacity (SAE) | 0,9 m ³ |
| Bucket Digging Force (Power Boost) ISO | 15.700 (17.200) kgf |
| Arm Crowd Force (Power Boost) ISO | 13.200 (14.500) kgf |



HIDROMEK®

FACTORY - HEAD OFFICE

Ahi Evran OSB Mahallesi Osmanlı Caddesi No:1 06935 Sincan / ANKARA / TURKEY
Tel: (+90) 312 267 12 60 Fax: (+90) 312 267 12 39
www.hidromek.com

Notice:
Hidromek has the right to modify the specifications and design of the model indicated on this brochure without prior notice.